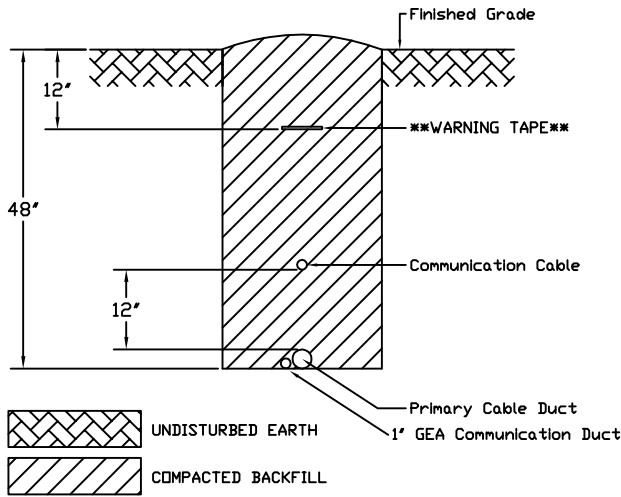
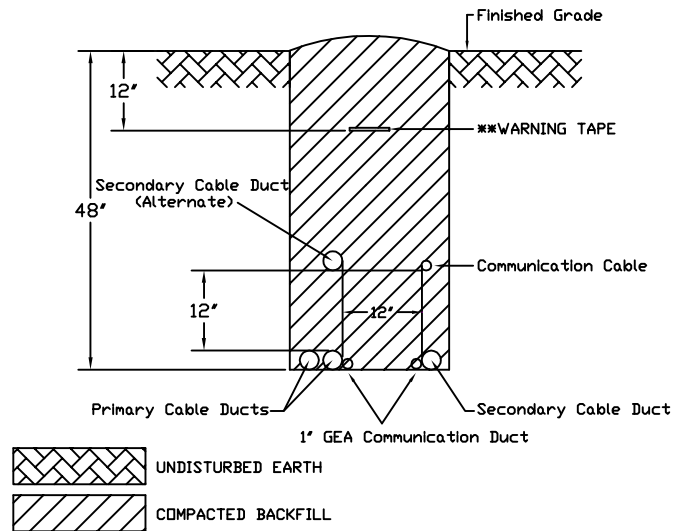


PRIMARY DUCT WITH COMMUNICATION



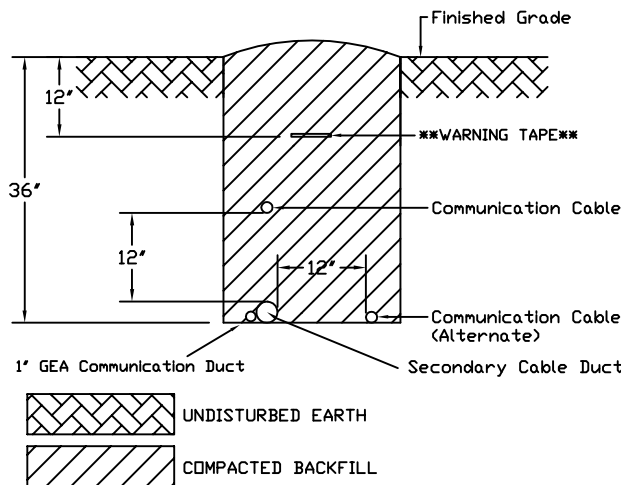
*NOTE: PRIMARY CABLE CONDUITS SHALL BE INSTALLED 48" BELOW FINISHED GRADE.
 *NOTE: 12" (MEASURED VERTICALLY) OF WELL TAMPED EARTH SHALL SEPARATE GEA PRIMARY CONDUITS AND COMMUNICATION CABLES.

PRIMARY/SECONDARY DUCT WITH COMMUNICATION



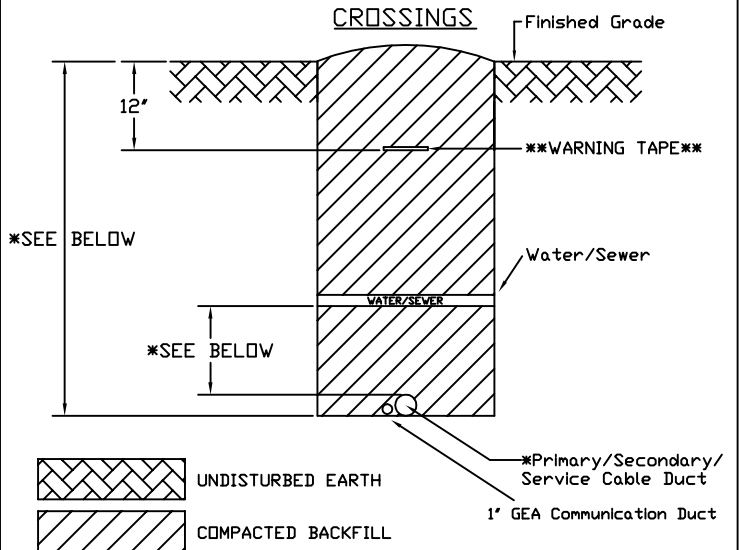
*NOTE: PRIMARY CABLE CONDUITS SHALL BE INSTALLED 48" BELOW FINISHED GRADE.
 *NOTE: 12" (MEASURED VERTICALLY) OF WELL TAMPED EARTH SHALL SEPARATE GEA PRIMARY CONDUITS AND COMMUNICATION CABLES. 12" (MEASURED HORIZONTALITY) OF WELL TAMPED EARTH SHALL SEPARATE GEA SECONDARY/SERVICE CONDUITS FROM COMMUNICATION CABLES.

SERVICE/SECONDARY DUCT WITH COMMUNICATION



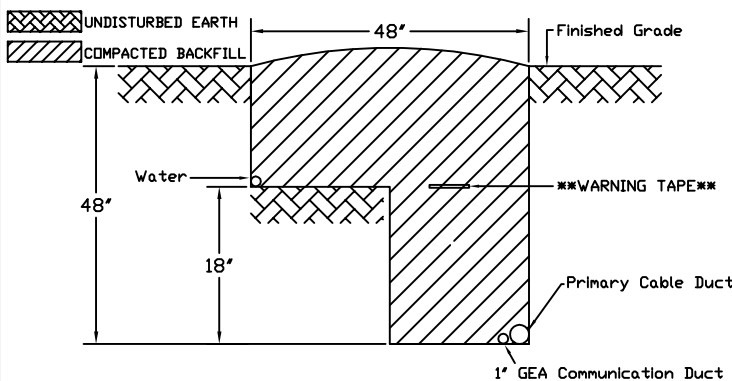
*NOTE: SECONDARY / SERVICE DUCTS SHALL BE INSTALLED 36" BELOW FINISHED GRADE.
 *NOTE: 12" (MEASURED VERTICALLY OR HORIZONTALITY) OF WELL TAMPED EARTH SHALL SEPARATE GEA SECONDARY CONDUITS AND COMMUNICATION CABLES.

CROSSINGS



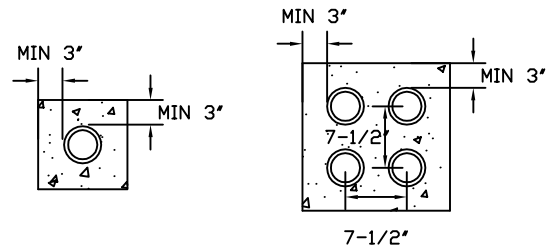
*NOTE: MINIMUM PRIMARY CONDUIT DEPTH IS 48". MINIMUM SECONDARY/SERVICE CONDUIT DEPTH IS 36".
 *NOTE: A MINIMUM OF 12" (MEASURED VERTICALLY) OF WELL TAMPED EARTH SHALL SEPARATE GEA CONDUITS AND OTHER UTILITIES SUCH AS WATER AND SEWER.
 *NOTE: WHEN SUCH A CROSSING IS NECESSARY, GEA CONDUIT SHOULD BE AT THE LOWER LEVEL IN TRENCH.

PRIMARY DUCT WITH WATER (SHELF METHOD)



ENCASEMENT

INSTANCES WHEN MINIMUM DEPTHS CANNOT BE ACHIEVED, DUCT TO BE CONCRETE ENCASED- 7-1/2" ON CENTER, MINIMUM 3" AROUND DUCT



****WARNING TAPE & SCHEDULING TRENCH INSPECTION****

*WARNING TAPE MUST BE INSTALLED AND SECURED TO ALL VERTICAL ELBOWS. THE WARNING TAPE CAN BE IN TRENCH OR ON THE GROUND BESIDE THE TRENCH AT TIME OF INSPECTION. GEA WILL NOT INSTALL FACILITIES UNLESS WARNING TAPE IS PRESENT.

*TO SCHEDULE A TRENCH INSPECTION, CONTACT GEA ENGINEERING DEPARTMENT AT 423-636-6241.



DWN	SWB	NO	DATE	REVISION
DATE	10-13-97	1	05-22	1" COMM DUCT
CHK		2	07-22	WATER & GEA
DATE				
APP		SCALE	NONE	
DATE		SHT#	1 OF 1	

SUBJECT DETAIL:

TYPICAL JOINT TRENCH

DWG #
JT1-722
 ENGINEERING DEPT.