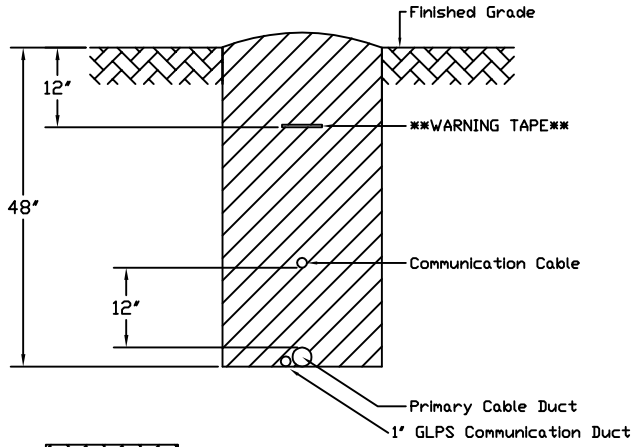


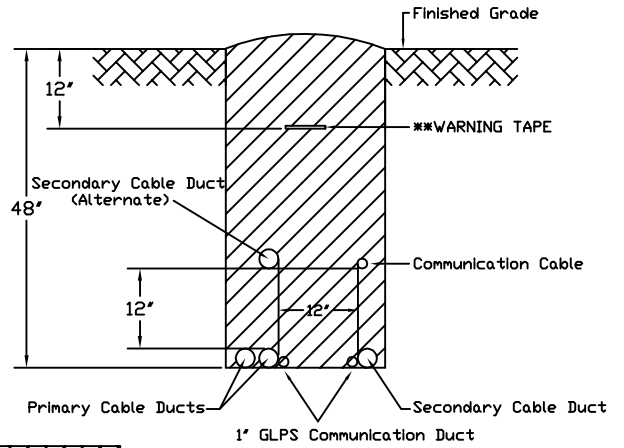
PRIMARY DUCT WITH COMMUNICATION



UNDISTURBED EARTH
 COMPACTED BACKFILL

*NOTE: PRIMARY CABLE CONDUITS SHALL BE INSTALLED 48' BELOW FINISHED GRADE.
 *NOTE: 12" (MEASURED VERTICALLY) OF WELL TAMPED EARTH SHALL SEPARATE GLPS PRIMARY CONDUITS AND COMMUNICATION CABLES.

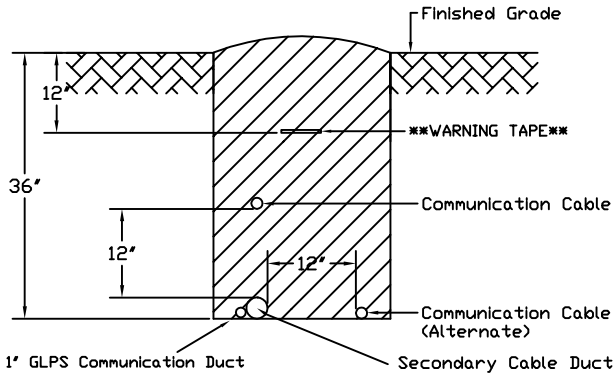
PRIMARY/SECONDARY DUCT WITH COMMUNICATION



UNDISTURBED EARTH
 COMPACTED BACKFILL

*NOTE: PRIMARY CABLE CONDUITS SHALL BE INSTALLED 48' BELOW FINISHED GRADE.
 *NOTE: 12" (MEASURED VERTICALLY) OF WELL TAMPED EARTH SHALL SEPARATE GLPS PRIMARY CONDUITS AND COMMUNICATION CABLES. 12" (MEASURED HORIZONTIALLY) OF WELL TAMPED EARTH SHALL SEPARATE GLPS SECONDARY/SERVICE CONDUITS FROM COMMUNICATION CABLES.

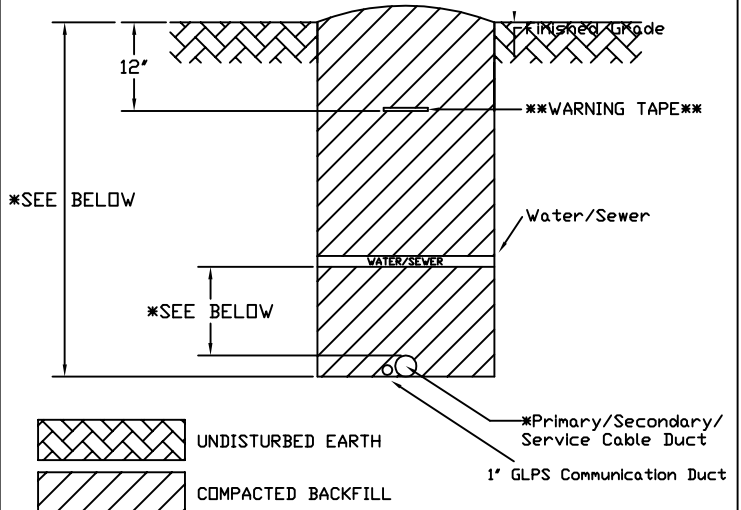
SERVICE/SECONDARY DUCT WITH COMMUNICATION



UNDISTURBED EARTH
 COMPACTED BACKFILL

*NOTE: SECONDARY / SERVICE DUCTS SHALL BE INSTALLED 36' BELOW FINISHED GRADE.
 *NOTE: 12" (MEASURED VERTICALLY OR HORIZONTIALLY) OF WELL TAMPED EARTH SHALL SEPARATE GLPS SECONDARY CONDUITS AND COMMUNICATION CABLES.

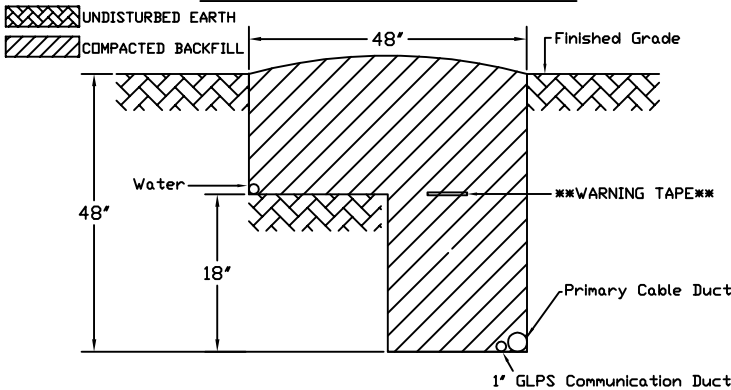
CROSSINGS



UNDISTURBED EARTH
 COMPACTED BACKFILL

*NOTE: MINIMUM PRIMARY CONDUIT DEPTH- 48'
 MINIMUM SECONDARY / SERVICE CONDUIT DEPTH- 36'
 *NOTE: A MINIMUM OF 12" (MEASURED VERTICALLY) OF WELL TAMPED EARTH SHALL SEPARATE GLPS CONDUITS AND OTHER UTILITIES SUCH AS WATER AND SEWER.
 *NOTE: WHEN SUCH A CROSSING IS NECESSARY, GLPS CONDUIT SHOULD BE AT THE LOWER LEVEL IN DITCH.

PRIMARY DUCT WITH WATER

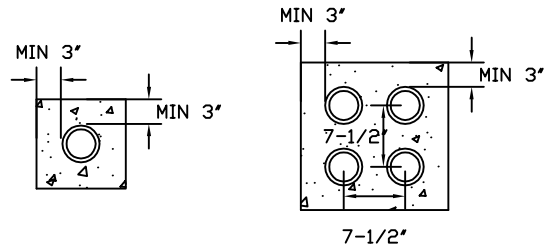


UNDISTURBED EARTH
 COMPACTED BACKFILL

*NOTE: PRIMARY CABLE CONDUITS SHALL BE INSTALLED 48' BELOW FINISHED GRADE.
 *NOTE: 12" (MEASURED VERTICALLY) OF WELL TAMPED EARTH SHALL SEPARATE GLPS PRIMARY CONDUITS AND COMMUNICATION CABLES.
 *NOTE: 18" (MEASURED VERTICALLY) OF WELL TAMPED EARTH SHALL SEPARATE WATER AND GLPS CONDUITS.

ENCASEMENT

INSTANCES WHEN MINIMUM DEPTHS CANNOT BE ACHIEVED, DUCT TO BE CONCRETE ENCASED- 7-1/2" ON CENTER, MINIMUM 3" AROUND DUCT



DWN	SWB	NO	DATE	REVISION
DATE	10-13-97	1	05-22	1" COMM DUCT
CHK		2	07-22	WATER & GLPS
DATE				
APP		SCALE	NONE	
DATE		SHT#	1 OF 1	

SUBJECT
 DETAIL
 TYPICAL JOINT TRENCH

DWG #
 JT1-722
 ENGINEERING DEPT.